

gloobus®



HANDCRAFTED BELGIAN FIRE SCULPTURES



Discover new worlds
of elemental fire.

Our philosophy	8	Growdrop	30
Dewdrop	16	Colophon	42



Small, authentic moments of tranquillity are becoming increasingly rare in a world that's moving ever faster. A little moment of connection and relaxation with your loved ones or friends is priceless.

The Glowbus® collection allows me to elevate these moments to a unique experience. It is my way to convey the ultimate experience of fire to the world. The feedback I receive from customers is a motivation to continue to develop the Glowbus® collection and to always look for new worlds of elemental fire.

Fiery regards,

Andreas Ketels
Artist and founder of Glowbus®





Our philosophy

Ten years ago, Andreas Ketels, artist and founder of Glowbus®, drew the first line of what grew to be the Glowbus® collection.

Each piece in our collection is a handmade, functional work of art. An eye-catcher that invites you for a moment of conviviality. Thanks to its design and light play, every Glowbus® takes an evening around a crackling fire into a completely different dimension.



Because we believe in sustainable and ecologically responsible products, we only work with the most durable materials. This ensures your Glowbus® will deliver those special moments for an entire lifetime.

Glowbus® is handmade



Not only is the Glowbus® collection the result of years of creative thinking, every piece is built with a perfect balance of authentic handicrafts and modern techniques. We are proud to feature the 'Handmade in Belgium' label.



Glowbus® is conscious

With every purchase of a Glowbus® Dewdrop, we donate an amount to an organisation committed to nature conservation. It results in 25 trees being planted. In this way, we are working, tree by tree, on creating a phenomenal Glowbus® forest.

We continuously work to optimise our production and transport processes, looking for ways to reduce our ecological footprint.





GROWDROP M & L





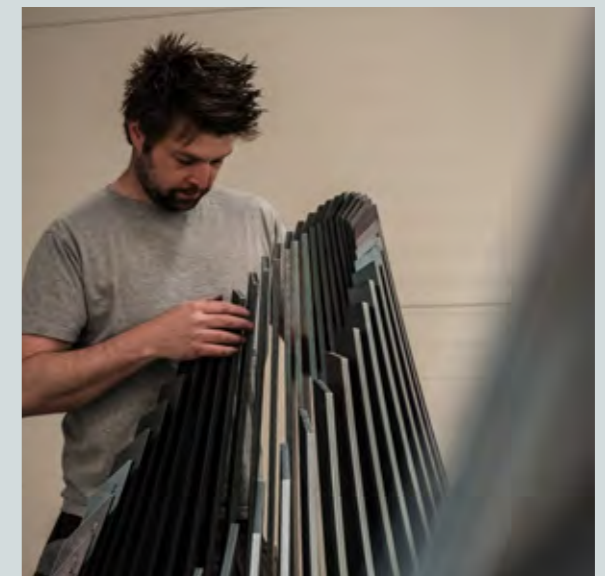
DEWDROP M

Glowbus® is durable

We resolutely choose the most durable and sustainable materials. This is the only way we can guarantee the longest possible lifespan of our collection.

We want you to be able to enjoy your Glowbus® without a worry in the world.

We have no interest in creating fire pits that rust through, fall apart or have to be replaced every few years. Our choice for corten steel ensures a lifespan eight times longer than ordinary steel. This allows us to minimise our share in the throwaway society.



Dewdrop

M, L, XL

Dewdrop is the foundation of the Glowbus® collection. Its unique and eccentric design makes it the eye-catcher of your garden. Timeless as it is, it feels at home in a sleek minimalist city garden as well as a monumental park garden.



DEWDROP L



DEWDROP M

Design

The Glowbus® Dewdrop is an eye-catcher in any garden thanks to its timeless design. The ideal blend between raw simplicity and pure outdoor luxury.

The Glowbus® Dewdrop is available in 3 sizes. Dewdrop M is most suited to compact zones such as a patio or smaller garden. The Dewdrop L is extremely suitable for larger gardens, and the largest member - the Dewdrop XL - decorates large park and landscape gardens or creates an experience in hotels and at tourist locations.

Eye-catcher during the day,
source of cosiness in the evening.





Materials

To optimise its lifespan, the Glowbus® Dewdrop is made of corten steel (weathering steel). On average, this beautiful rust-coloured steel lasts eight times longer than regular steel. Corten steel owes its durability to its high-density oxide skin (rust layer). It shuts off the steel from the outside air and thus forms a protective layer between the steel and the natural elements.



corten steel



DEWDROP L

Rusting process

We recommend placing the Glowbus® Dewdrop on a suitable surface because of the corten steel material. The oxide skin that gives corten steel its unique character may cause a slight discolouration to sensitive surfaces in wet conditions. This is most likely when the oxide skin is still forming.

It's best to place your fire sculpture - or any other object made of corten steel - on sand, gravel or grass.



DEWDROP M



DEWDROP L

Placement

Due to its weight (Dewdrop M = 150 kg (330 lb), Dewdrop L = 220 kg (485 lb), Dewdrop XL = 425 kg (937 lb)), you would probably prefer not to lug this fire sculpture around your garden every week. The Dewdrop M and L can be moved

fairly easily by rolling the Dewdrop on its side. The ash plate is not attached to the fire sculpture. The Dewdrop XL requires a bit more power and is usually positioned with the use of a mechanical lifting device.



DEWDROP L

Maintenance

The Glowbus® Dewdrop requires almost no maintenance. The only thing we recommend is that you remove the ashes if you will not be using the fire sculpture for a long time.

Weather resistance

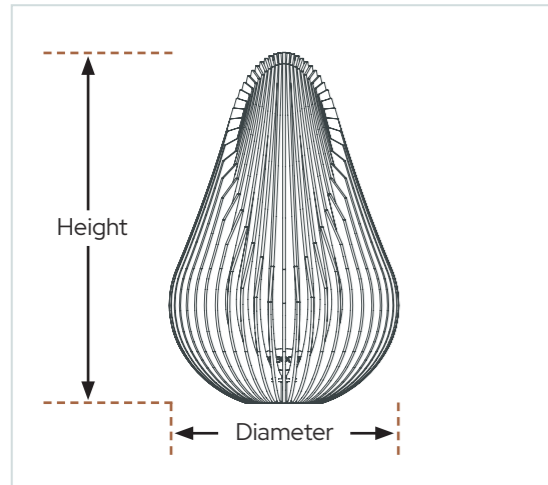
The Glowbus® Dewdrop is designed for all kinds of weather. Temperatures from -1000° C (-1768° F) to 1000° C (1832° F) are no issue at all and thanks to its robust shape and weight, it can perfectly withstand winds of up to 200 km/h (125 mph).



DEWDROP M

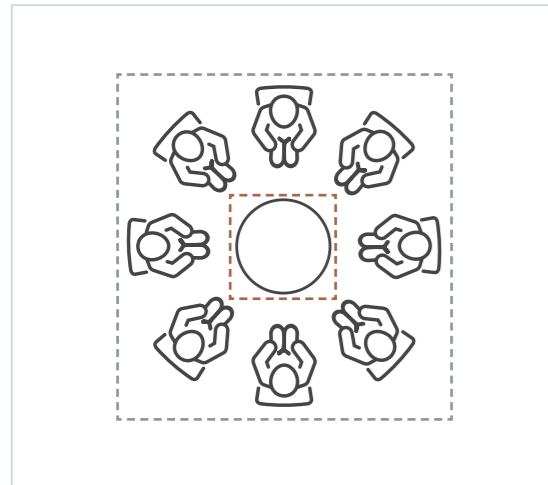


Dewdrop specifications





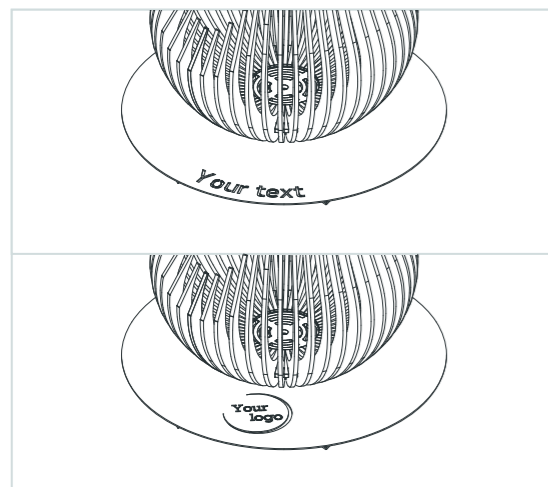
Dimensions and weight

Dewdrop M	Height	100 cm	(39.4 in)
	Diameter	65 cm	(25.6 in)
	Weight	150 kg	(330 lb)
Dewdrop L	Height	120 cm	(47.2 in)
	Diameter	80 cm	(31.5 in)
	Weight	220 kg	(485 lb)
Dewdrop XL	Height	150 cm	(59 in)
	Diameter	100 cm	(39.4 in)
	Weight	425 kg	(937 lb)



Minimal seating area

	Base size ash plate		
Dewdrop M	80 x 80 cm	(31.5 x 31.5 in)	
Dewdrop L	100 x 100 cm	(39.4 x 39.4 in)	
Dewdrop XL	120 x 120 cm	(47.3 x 47.3 in)	
	Base size minimal seating area		
Dewdrop M	1 - 5 pers.	250 x 250 cm	(98 x 98 in)
Dewdrop L	4 - 12 pers.	300 x 300 cm	(118 x 118 in)
Dewdrop XL	8 - 25 pers.	400 x 400 cm	(158 x 158 in)



Personalisation

Have your own text or logo inscribed into the ash plate of your Dewdrop. Your logo, or a message of up to 35 characters (including spaces) adds that wonderful personal touch.

Check the delivery specifications:
<https://www.glowbus.eu/logospecs>



DEWDROP L



DEWDROP M

Available sizes



Dewdrop M



Dewdrop L



Dewdrop XL

(Images above are indicative. Dewdrop models shown are not yet rusted.)



GROWDROP M & L DEWDROP M

Growdrop

M, L

As the smallest member of the collection, Growdrop embodies the character of the Dewdrop fire sculpture. Bring the unique Glowbus® atmosphere indoors with the Growdrop candle holder.



GROWDROP L: CORTEN STEEL



GROWDROP M & L: BLACKENED STEEL



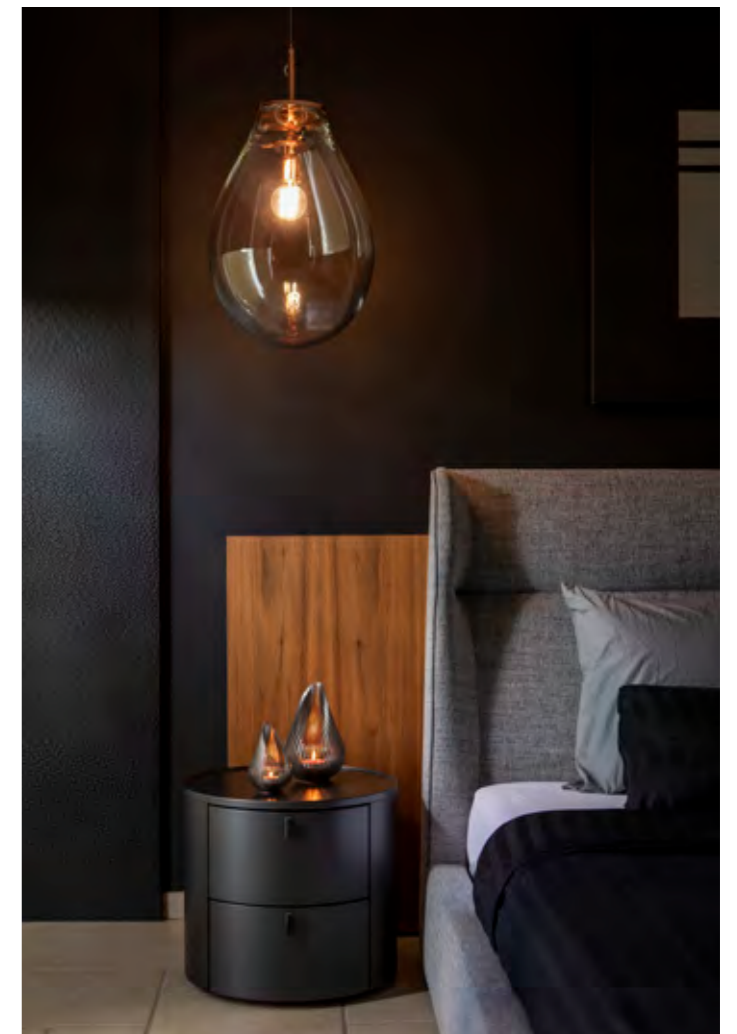
GROWDROP M & L: CORTEN STEEL, STAINLESS STEEL, BLACKENED STEEL

Design

The Glowbus® Growdrop brings the atmosphere of the Dewdrop into your house. Its timeless design and handmade details make it a genuine eye-catcher.

The Glowbus® Growdrop is available in 2 sizes. On its own or as part of a composition of several pieces, cosiness is guaranteed. Its play of light immediately creates a unique atmosphere where you can dream away.

GROWDROP M & L: STAINLESS STEEL





GROWDROP M & L: STAINLESS STEEL

Weather resistance

The Glowbus® Growdrops in corten steel or stainless steel can remain outside in wet weather conditions. The blackened steel version can be used outside. A limited rust formation is possible when it's exposed to rain.



GROWDROP M & L: CORTEN STEEL



GROWDROP M & L: BLACKENED STEEL

Materials

Just like its big brother Dewdrop, the Glowbus® Growdrop is handmade from the most durable of materials. You can choose from characterful rusted corten steel or the cleaner and more minimalistic alternatives made of stainless steel or blackened steel.

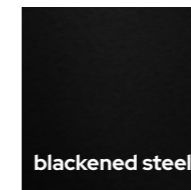
Strong colour fastness was taken into account in the choice of materials for the Growdrops. The rust colour of the corten steel version or the bright colour of the stainless steel version is immediately derived from the natural appearance of these materials. The black version is made of blackened steel, which gives it a deeper black colour, much stronger than is achieved with a painted coat.



corten steel



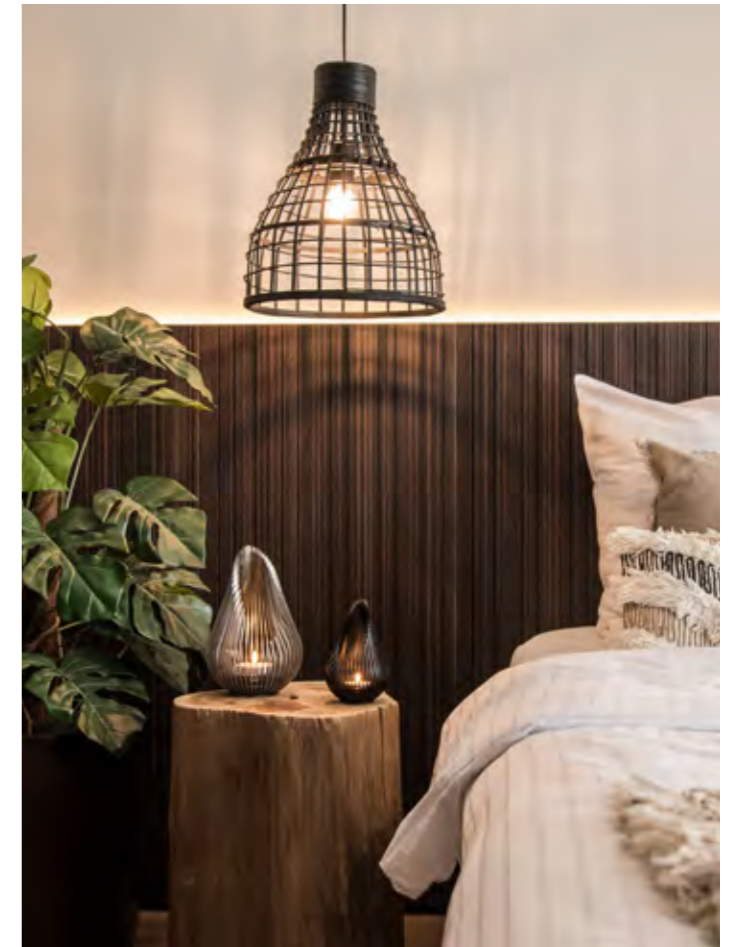
stainless steel



blackened steel

Maintenance

The Glowbus® Growdrop should only be cleaned occasionally with a soft dusting brush. If you clean the Growdrop with a damp cloth, always use lukewarm water without additives.



GROWDROP L: STAINLESS STEEL GROWDROP M: BLACKENED STEEL

Tealight or lantern

The circular recess inside the Glowbus® Growdrop is provided according to the standardised measurements of a tealight or XL tealight. The Growdrop M can accommodate a 39 mm (1.54 in) tealight, while the Growdrop L can be used with a 58 mm (2.28 in) XL tealight or a glass lantern of the same size.



GROWDROP M & L: BLACKENED STEEL

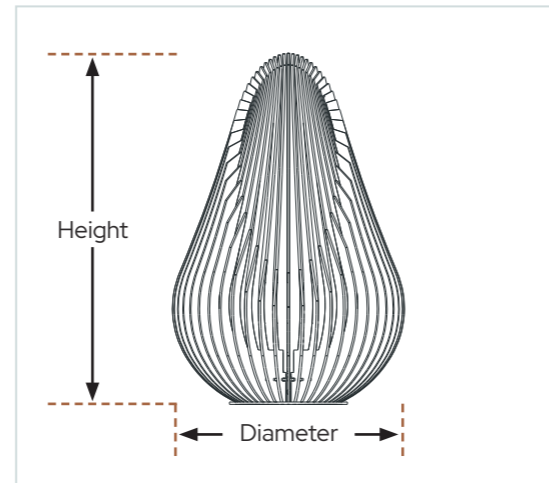


GROWDROP M & L: STAINLESS STEEL



GROWDROP M & L: CORTEN STEEL
GROWDROP L: BLACKENED STEEL

Growdrop specifications

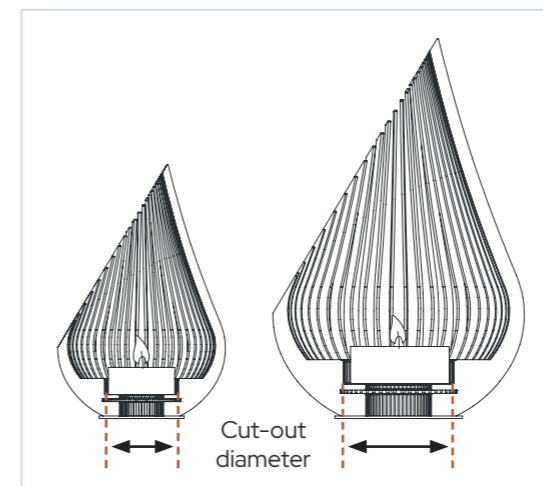


Dimensions and weight

Growdrop M	Height	15 cm	(5.9 in)
	Diameter	10 cm	(3.9 in)
	Weight	0.6 kg	(1.3 lb)
Growdrop L	Height	22 cm	(8.6 in)
	Diameter	15 cm	(5.9 in)
	Weight	1.35 kg	(2.9 lb)



GROWDROP M: BLACKENED STEEL

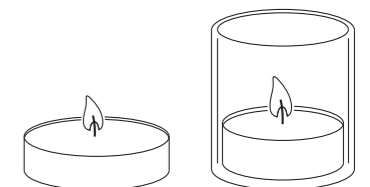


Suitable for

Growdrop M
Cut-out diameter 43 mm (1.69 in)
Suitable for Tealight 39 mm (1.54 in)



Growdrop L
Cut-out diameter 65 mm (2.56 in)
Suitable for XL tealight 58 mm (2.28 in)
Glass lantern



Glowbus bv reserves the right to change and update the functional and qualitative details of its products at any time. The texts and drawings in this brochure serve an indicative purpose only, to give readers insight into approximate technical and dimensional aspects, as well as colours and the materials used for construction.

*"Enjoy your moment,
share your stories
and forge beautiful memories."*



glowbus®

exclusive distributor for Adria region



Svetice 24a • HR-10000 Zagreb • Croatia
t: +385 1 3778 503 • e: haby@haby.hr

WWW.HABYOUTDOOR.COM